

201 POWER 1 UNIVERSAL DATA TERMINAL

Flexible
Accountable
Accountable



Adjustable Viewing Angle



- Very versatile and low cost terminal
- Ideal for production monitoring, price checking etc.
- 3 COM Ports

201 POWER 1 UNIVERSAL DATA TERMINAL

Specifications

Electrical

Voltage	7 to 15V DC
Power Consumption	1.5W maximum without LCD or external devices attached

Environmental

Temperature	0°C~50°C (operating) -20°C~70°C (storage)
Humidity	20%~90% non-condensing (operating) 10%~95% non-condensing (storage)

Physical

Weight	295g
Housing	ABS plastic
Color	Grey
Dimensions	179 x 116 x 34mm (L x W x H)

Indicator

Buzzer	4 selectable volumes
Power LED	Red
Good Read LED	Green
LCD Display	Optional 20 X 2 characters dot-matrix LCD display with tunable LED back-light and adjustable viewing angle

Memory

Program Memory	128 KB flash memory
Data Memory	128 KB SRAM with 3.6V NiCd rechargeable battery backup
System Clock	16 bit CPU running at 9.8304 MHz

Safety & Regulatory Approvals FCC class-A, CE, C-tick

Input Device

Reader Ports	2 reader ports available, each can be used to attach Barcode Slot, Wand, Laser or up to dual track Magnetic Stripe Reader. Any TTL output device.
Keyboard Port	PC/AT compatible keyboard can be attached for data entry or any keyboard wedge interface device.
Symbology Supported	Code 39/Full ASCII, Codabar, Italy Pharma Code, Industrial 2 of 5, Interleave 2 of 5, Matrix 2 of 5, Code 93, Code 128, EAN 128, MSI, EAN 8 & 13, UPCA & E, Plessey

Battery

Operation Battery	8.4V, 1400mAh NiCd battery for operation backup
Operation Battery Control	The battery voltage can be monitored. An on-board self-shutdown circuit is included to prevent over-discharge of battery.
Backup Battery	3.6V, 60mAh NiCd battery for memory and calendar backup

Calendar Fine-tunable calendar chip with battery backup

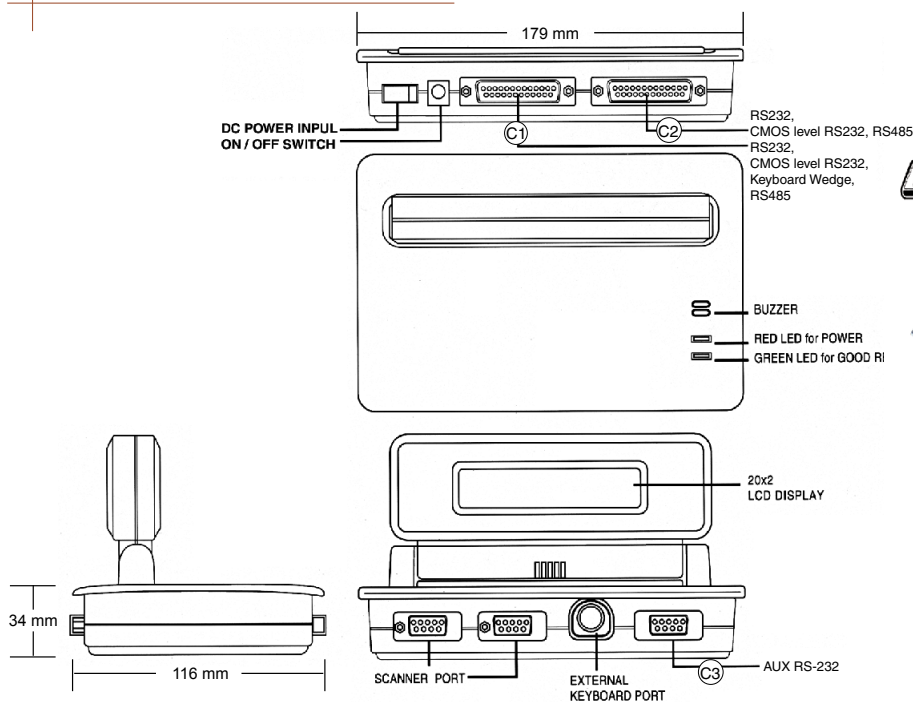
Digital Input/Output

Types of Input	2 photo-isolated digital inputs can be used to monitor external devices.
Types of Output	2 photo-isolated digital outputs can be used to control external devices such as alarm, door lock and so on.

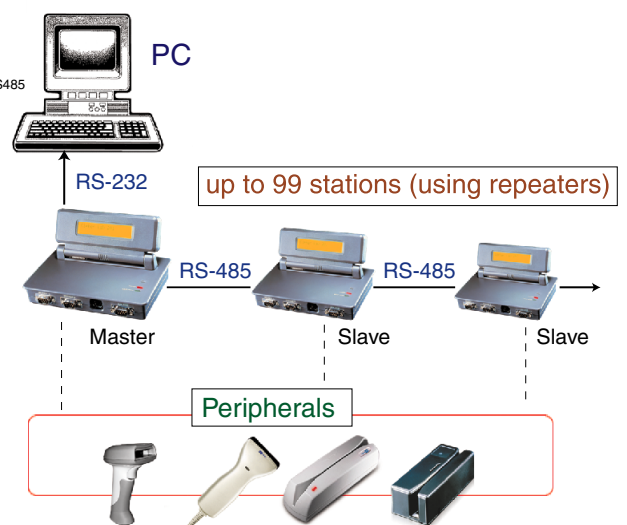
Communication Ports

C1	RS232, CMOS level RS232, Keyboard Wedge, RS485
C2	RS232, CMOS level RS232, RS485
C3 (Aux 232)	Auxiliary RS232 for external device connection

Dimensions & Configuration



Networking Architecture



Headquarter
Syntech Information Co., Ltd.
 5F, No. 196-3, Ta-Tung Road
 Sec. 3, Hsi-Chih
 Taipei Hsien, Taiwan
 TEL: +886 2 8647 3300
 FAX: +886 2 8647 1155
 www.cipherlab.com.tw

USA
Syntech West Inc.
 3404 57th Street NW Suite B
 Gig Harbor, WA 98335
 U.S.A.
 TEL: +1 253 858 7906
 FAX: +1 253 858 7713
 www.cipherlab.com