



## IS6520 OmniQuest®

### Features

- **Built-in, threaded mounting holes**
- **Programmable depth of field**
- **Quick-disconnect cables**
- **Low power consumption**
- **Serial or bar code programming (MetroSet™)\***
- **Data editing (Bits 'n' Pieces™)\***

**Metrologic's OmniQuest™** is a compact, omnidirectional scanning engine for use in OEM applications. The simple, yet rugged design of OmniQuest is ideal for applications including reverse vending machines, kiosk, time/attendance, and price-lookup systems.

As an OEM product, OmniQuest is both easy to use and easy to install. Each OmniQuest is equipped with three threaded mounting holes, serial programming and quick-disconnect cables. Incorporating the latest in scanning technology, the OmniQuest IS6520 can scan and decode all standard bar codes in any orientation using

Metrologic's patented omnidirectional scanning pattern.

The modular design of OmniQuest allows the unit to be tailored to meet the needs of your specific application. Each IS6520 can be configured for either RS232 Communication or Light Pen Emulation. Furthermore, OmniQuest has the option for direct connection to a 5V power source or plug-in the Metrologic power supply included with each IS6520.

Quite simply, OmniQuest is a complete scanning solution with the high-performance and reliability you have come to expect from Metrologic.



# IS6520 OmniQuest®

## OPERATIONAL

Light Source	Visible Laser Diode 675 nm ± 5 nm
Laser Power	0.681 mW (peak)
Depth of Scan Field (programmable)	0 mm - 178 mm (0" - 7") for 0.33 mm (13 mil) bar code at default setting
Width of Field	38 mm (1.5") @ face; 102 mm (4") @ 178 mm (7")
Scan Speed	1000 scan lines per second
Scan Pattern	5 fields of 4 parallel lines (omnidirectional)
Number of Scan Lines	20
Minimum Bar Width	0.14 mm (5.7 mil)
Decode Capability	Autodiscriminates all standard bar codes; for other symbologies call Metrologic
System Interfaces	RS232, Light Pen Emulation
Print Contrast	35% minimum reflectance difference
Number Characters Read	Up to 80 data characters
Roll, Pitch, Yaw	360°, 60°, 60°
Beeper Operation	7 tones or no beep
Indicators	Red=laser on, ready to scan Green=good read

## MECHANICAL

Length	102 mm (4.0")
Width	83 mm (3.25")
Height (front edge)	70 mm (2.75")
Height (back edge)	55 mm (2.25")
Weight	298 g (10.5 oz)
Termination	10 position modular RJ45
Cable	Standard 2.1 m (7') straight; optional 2.7 m (9') coiled for other cable call Metrologic
Mounting Holes	3 mm threaded; maximum depth of 6 mm (0.24")

## ELECTRICAL

Input Voltage	5 VDC ± 0.25 V
Power	1.0 W
Operating Current	200 mA typical @ 5 VDC
DC Transformers	Class 2; 5.2 VDC @ 650 mA
Laser Class	CDRH:ClassIIa;EN60825-1:1994/A11:1996 Class 1
EMC	FCC Class A

Operating Temperature	-20°C to 50°C (-4°F to 122°F)
Storage Temperature	-40°C to 60°C (-40°F to 140°F)
Humidity	5% to 95% relative humidity, non-condensing
Light Levels	Up to 4844 Lux (450 footcandles)
Contaminants	Sealed to resist airborne particulate contaminants
Ventilation	None required

Specifications subject to change without notice.  
Printed in Germany, March 2000



**USA**  
Metrologic Instruments, Inc.  
Tel. 1-800-ID-METRO  
Fax 1-609-228-6673  
info@metrologic.com

**South America**  
Metrologic Instruments  
Tel. 55-11-5505-6568  
Fax 55-11-5505-1681  
info@sa.metrologic.com

**Brazil**  
Metrologic do Brasil Ltda  
Tel. 55-11-5505-2396  
Fax 55-11-5507-2301  
info@br.metrologic.com

**Asia**  
Metrologic Asia (Pte) Ltd  
Tel. 65-842-7155  
Fax 65-842-7166  
info@sg.metrologic.com

Metrologic Instruments GmbH | Dornierstrasse 2 | 82178 Puchheim, Germany  
Tel: +49 (0) 89 89 019 0 | Fax: +49 (0) 89 89 019 200 | Email: metrologic@europe.metrologic.com

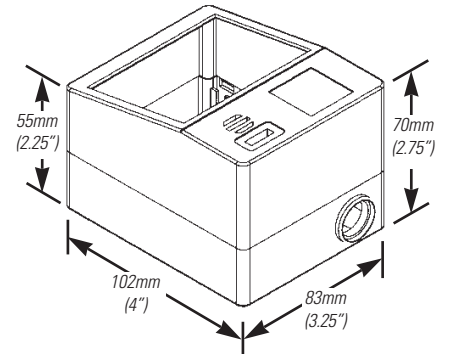
### REGIONAL OFFICES

**Germany**  
Metrologic Instruments GmbH  
Dornierstrasse 2, 82178 Puchheim  
Tel: +49 (0) 89 89 019 0  
Fax: +49 (0) 89 89 019 200  
Email: metrologic@europe.metrologic.com

**Italy**  
Metrologic Instruments Italia s.r.l.  
Via Emilia 68, 40064 Ozzano dell'Emilia (BO)  
Tel: +39 (0) 5 16 51 19 78  
Fax: +39 (0) 5 16 52 13 37  
Email: metrologic@europe.metrologic.com

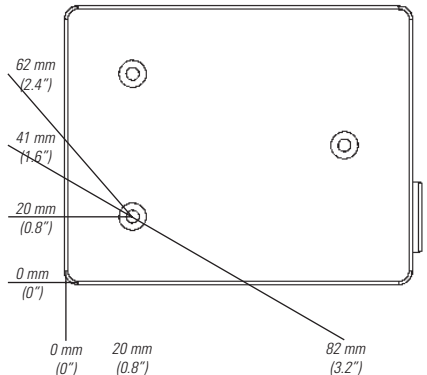
**Spain**  
Metrologic Eria Ibérica  
Julián Camarillo 29, Edificio Diapasón, 28037 Madrid  
Tel: +34 (91) 3 27 24 00  
Fax: +34 (91) 3 27 38 29  
Email: metrologic@europe.metrologic.com

## Dimensions

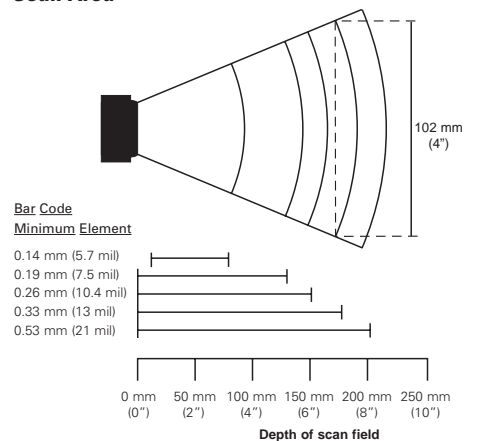


## Mounting Holes

(rear side of unit)



## Scan Area



www.metrologic.com