

MS6220 Pulsar™

Features

- **Triggerless operation**
- **Contact laser scanner**
- **PowerLink user-replaceable cables**
- **High visibility 650 nm VLD**
- **MetroSelect™ configuration**
- **MetroPOS™ compatible**

Metrologic's MS6220 Pulsar™ is Metrologic's entry-level hand-held laser bar code scanner. Pulsar combines the high-speed and accuracy of a laser scanner with the working range and price of a typical CCD.

With Pulsar, wider is better. When using contact CCDs, the width of the scan field is limited to the width of the face of the scanner requiring manufacturers to offer additional, wider models.

Metrologic's Pulsar is one model that satisfies all applications. By using a laser, the width of the scan-line grows as the bar code moves further away from the face giving Pulsar the ability to read the wide codes that similar sized CCD scanners are incapable of reading.

The high-visibility, 650-nm laser helps the operator line-up the bar code, thus making scanning bar codes easier in all lighting conditions. In addition, with a controlled 7.6 cm (3") depth-of-field on 100% UPC bar codes, Pulsar is perfect for large retail applications where UPC/EAN bar codes are frequently scanned at less demanding, low-volume check-out areas or satellite cash registers.

As with all new Metrologic products, Pulsar is equipped with PowerLink user-replaceable cables, utilizes MetroSelect configuration bar codes and is MetroPOS compatible.



MS6220 Pulsar™

OPERATIONAL

Light Source	Visible Laser Diode 650 ± 10 nm
Laser Power	0.750 mW (peak)
Depth of Scan Field	0 mm - 76 mm (0" - 3") for 0.33 mm (13 mil) bar codes
Width of Scan Field	64 mm (2.5") @ face; 102 mm (4.0") @ 38 mm (1.5")
Scan Speed	72 ± 2 scans lines per second
Scan Pattern	Single scan line
Minimum Bar Width	0.127 mm (5.0 mil)
Decode Capability	Autodiscriminates all standard bar codes; for others call Metrologic
System Interfaces	RS232, Keyboard Wedge, Light Pen Emulation, IBM 468X/469X, OCIA, Stand Alone Keyboard
Print Contrast	35% minimum reflectance difference
Number Characters Read	Up to 80 data characters (Maximum number will vary based on symbology and density)
Roll, Pitch, Yaw	42°, 68°, 52°
Beeper Operation	7 tones or no beep
Indicators (LED)	Green = on, ready to scan; Red = good read

MECHANICAL

Weight	121 g (4.2 oz)
Width	Head: 70 mm (2.7") Handle: 48 mm (1.9")
Length	178 mm (7.0")
Height	27 mm (1.1")
Cable	Standard 2.1 m (7') straight ; optional 2.7 m (9') coiled

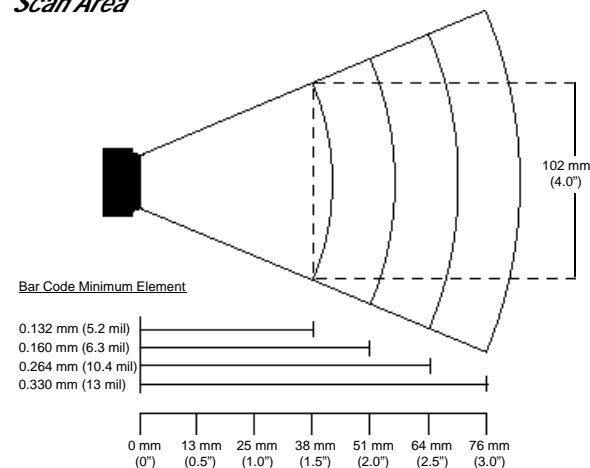
ELECTRICAL

Input Voltage	5.0 VDC ± 0.25 V
Power	800 mW
Operating Current	160 mA peak @ 5 VDC
DC Transformers	Class 2; 5.2 V @ 650 mA
Laser Class	CDRH: Class II; EN60825-1:1994/A11:1996 Class 1
EMC	FCC Class A

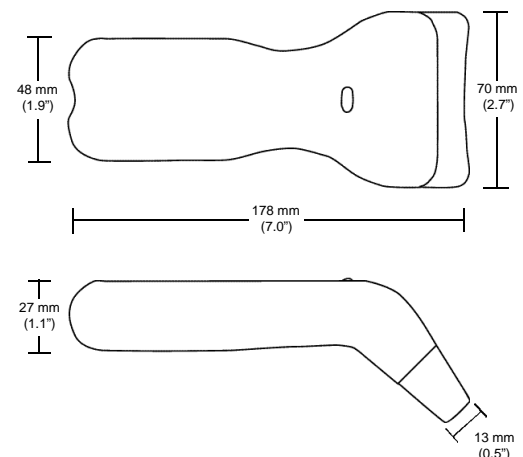
ENVIRONMENTAL

Operating Temperature	0°C to 40°C (32°F to 104°F)
Storage Temperature	-40°C to 60°C (-40°F to 140°F)
Humidity	5% to 95% relative humidity, non-condensing
Shock	Designed to withstand 1.5 m (5') drops
Light Levels	Up to 4842 Lux (450 footcandles)
Contaminants	Sealed to resist airborne particle contaminants
Ventilation	None required

Scan Area



Dimensions



Specifications subject to change without notice.
Printed U.S.A., Copyright January 2000.
Metrologic, All rights reserved.
MLPN: DSMS6220



USA
Metrologic Instruments, Inc.
Tel. 1-800-ID-METRO
Fax 1-856-228-6673
info@metrologic.com

Europe
Metrologic Instruments GmbH
Tel. 49-89-89019-0
Fax 49-89-89019-200
info@europe.metrologic.com

South America
Metrologic Instruments
Tel. 5511-5505-6568
Fax 5511-5505-1681
info@sa.metrologic.com

Brazil
Metrologic do Brasil Ltda.
Tel. 5511-5505-2396
Fax 5511-5507-2301
info@br.metrologic.com

Asia
Metrologic Asia (Pte) Ltd.
Tel. 65-842-7155
Fax 65-842-7166
info@sg.metrologic.com

Metrologic Instruments, Inc. | 90 Coles Rd. | Blackwood, New Jersey 08012-4683
Telephone 856-228-8100 or 1-800-ID-METRO | Fax 856-228-6673

Metrologic®
www.metrologic.com