



IS1650

Metrologic's IS1650 self-contained, area-imaging engine provides easy and reliable bar code scanning for self-service kiosks or other fixed-mount POS applications.

The IS1650 is ideal for bar code scanning related to self-vending, ID and boarding-pass verification, shipping/receiving, bill payments, supply-chain management and manufacturing automation.

With its omnidirectional capability, scanning one bar code or several becomes a simple and swift experience for self-service customers.

By combining patented *FirstFlash™* technology with a high-resolution CMOS sensor, the IS1650 decodes all standard bar codes with minimal concern for orientation or print quality – even codes damaged, worn or wrapped in clear plastic.

The IS1650 separates itself from other 2-D imaging engines with Code Select™

technology, robust automatic activation and a 500-mHz processor. These features give the IS1650 the ability to capture up to seven bar codes in a single flash and then decode them in any pre-determined order.

The IS1650 also comes with Metrologic's exclusive *TotalFreedom™* open-system architecture which offers unlimited possibilities for developing value-added custom application modules embedded directly into the imager instead of the host.

Forward-illuminating design supports intuitive up-close scanning by eliminating the "dead zone" associated with most imagers.

With no moving parts and six host-system interfaces to choose from, the IS1650 symbolizes Metrologic's four-decade commitment to producing advanced bar code scanners that really work for you.

www.metrologic.com/IS1650

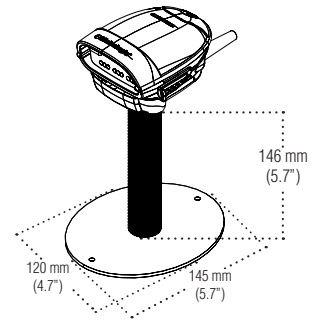
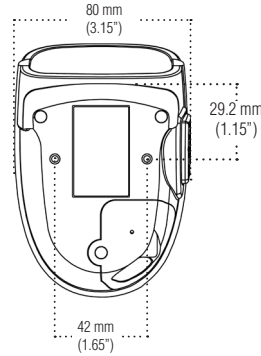
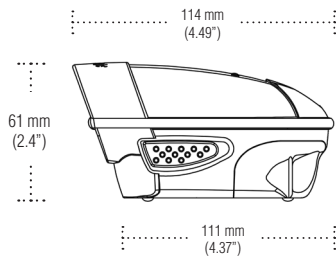


Features

- *FirstFlash™*
- Omnidirectional scanning
- Code Select
- IR object detection
- Slim form factor

Benefits

- Increases productivity with unmatched first-pass scan rate
- Scans/decodes standard 2D and 1D bar codes including RSS, PDF417, DataMatrix, MaxiCode, QR and Postal codes
- Scans up to 7 codes in a single flash and then outputs data in any order
- Provides unrivaled activation for hands-free applications
- Delivers superior performance in tight spaces



OPERATIONAL

Light Source	LED 645nm ± 7.5 nm
Decode Capability	Autodiscriminates all standard 1D, GS1 DataBar™, PDF417, microPDF, MaxiCode, Data Matrix, QR Code, UCC, EAN Composites, Postals, Aztec and other 2D symbologies, and optional OCR fonts (A, B, MICR)
Supported System Interfaces	PC Keyboard Wedge, RS232, Stand Alone Keyboard, IBM, LS USB, FS USB
Beeper Operation	7 tones or no beep
Indicators (LED)	Blue = unit powered, ready to scan; White = good read; Yellow = in stand

MECHANICAL

Height	61 mm (2.4")
Depth	114 mm (4.49") without cable
Width	80 mm (3.15")
Weight	204 g (7.2 oz)
Termination	10 pin modular RJ45
Cable	Standard 2.2 m (7.3') straight; optional 2.7 m (9') coiled

ELECTRICAL

Input Voltage	5 V
Power	Operating: 1.65 W typical; Standby: 800 mW
Operating Current	Operating: 330 mA typical; Standby: 160 mA
DC Transformers	5 V @ 650 mA
LED Class	Class 1; IEC60825-1:1993/A1:1997+A2:2001 Class 1; EN60825-1:1994/A11:1996+A2:2001
EMC	FCC Class A IEC60825-1 LED Safety
ESD Protection	Functional after 100 15 kV discharges

ENVIRONMENTAL

Operating Temperature	0°C to 40°C (32°F to 104°F)
Storage Temperature	-40°C to 60°C (-40°F to 140°F)
Humidity	0% to 95% relative humidity, non-condensing
Light Levels	Up to 100,000 Lux (9,290 footcandles)
Shock	Designed to withstand multiple 1 m (3.3') drops onto concrete floors

Product Colors Available

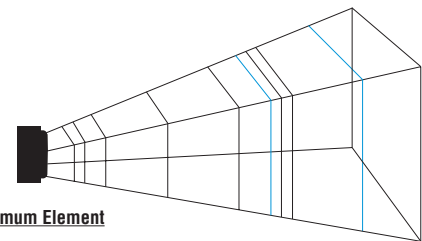


IS1650 is available in a variety of other colors with minimum quantity purchase.

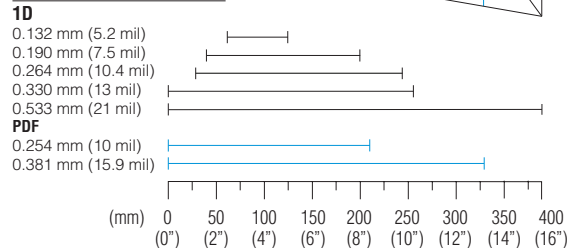
SCAN PERFORMANCE

Depth of Scan Field (programmable)	0 mm - 254 mm (0" - 10") for 0.33 mm (13 mil) bar codes
Width of Scan Field	49 mm W x 19 mm H (1.9" W x 0.8" H) @ 20 mm (0.8"); 264 mm W x 106 mm H (10.4" W x 4.2" H) @ 280 mm (11")
Scan Pattern	Area (optional linear)
Image Resolution	1280 x 512 pixels
Minimum Element Width	1D: 0.127 mm (5 mil); 2D: 0.254 mm (10 mil)
Print Contrast	20% minimum reflectance difference
Number of Characters Read	Up to 80 data characters on 1D, 1,850 text characters for PDF417
Pitch, Yaw	75°, 75°

Scan Area



Bar Code Minimum Element



Metrologic Instruments, Inc. | Worldwide Headquarters
90 Coles Road | Blackwood, NJ 08012-4683 | info@metrologic.com
Telephone 856-228-8100 | Fax 856-228-6673 | www.metrologic.com

ISO 9001:2000

Asian Headquarters Tel. 65.6842.7155 info@sg.metrologic.com	European Headquarters Tel. 49.89.89019.0 info@eu.metrologic.com	The Americas Headquarters Tel. 1.800.ID.METRO info@us.metrologic.com
--------------------------------------------------------------------------	------------------------------------------------------------------------------	-----------------------------------------------------------------------------------



Specifications subject to change without notice. Printed U.S.A., Copyright July 2007 Metrologic, all rights reserved.



IS1650