



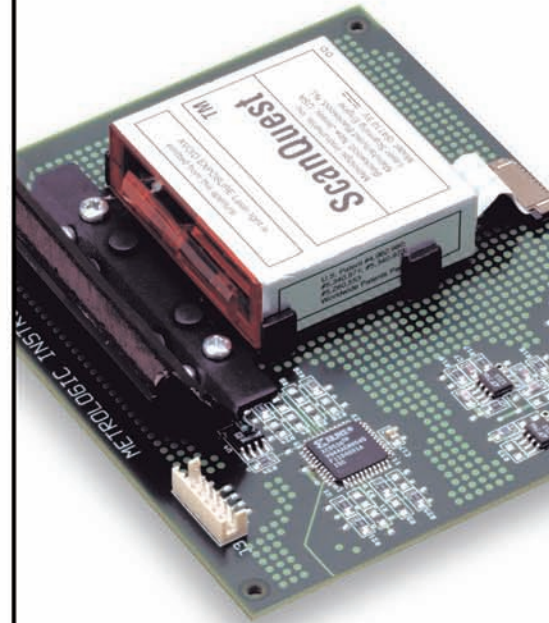
## IS4125 SERIES **ScanQuest®**

ScanQuest® engines are miniature laser single-line scanners with a patented automatic trigger. Designed for integration into OEM equipment, ScanQuest engines are compact, lightweight and have low power requirements.

Metrologic's ScanQuest offers bar code scanning that's easy to configure and integrate. This powerful scan engine provides flexibility to users through a host of features that can enable a variety of applications. The ScanQuest has built-in decoding for versatile OEM operations which can be easily updated in the field to keep the scanner current.

Besides the powerful software, the engine is mechanically robust as well. The unit is entirely enclosed to prevent contamination from the environment. The modular design can also be incorporated into a number of different mounting

configurations. With all of these options, the ScanQuest makes the addition of scanning to any application a snap.



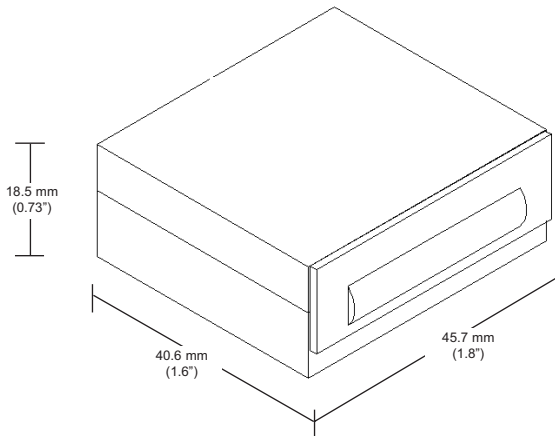
[www.metrologic.com](http://www.metrologic.com)

### FEATURES

- Compact
- Automatic scanning operation
- Long range/short range activation
- Metal housing
- Autodiscriminates

### BENEFITS

- Designed to fit efficiently into OEM devices
- Scans bar codes as they are presented; triggerless
- Activation is programmed to fit your application
- No exposed electronic components to prevent damage
- Has the ability to scan all standard 1D bar codes



**OPERATIONAL**

Light Source	Visible Light Diode 650 nm
Laser Power	0.800 mW (peak)
Decode Capability	Autodiscriminates all standard bar codes, including RSS
System Interfaces	RS232, Light Pen Emulation, PC Keyboard Wedge, Stand Alone Keyboard
Number Characters Read	Up to 80 data characters read
Beeper Operation	Power on; good read signals
Indicators (LED)	Laser on; good read signals
Serial Programming	Compatible with IS4120

**MECHANICAL**

Dimensions	45.7 mm x 40.6 mm x 18.5 mm (1.8" x 1.6" x 0.73")
Weight	55 g (1.94 oz)
Termination	12 pin ZIF connector

**ELECTRICAL**

Input Voltage	5 VDC ± 0.25 V
Power	0.625 W
Operating Current	125 mA typical @ 5 VDC
Standby Current	65 mA typical @ 5 VDC
Sleep Mode Current	9 mA typical @ 5 VDC
Laser Class	Designed to be used as a CDRH:Class II and IEC Class II component
EMC	FCC Class A, CISPR Class A

**ENVIRONMENTAL**

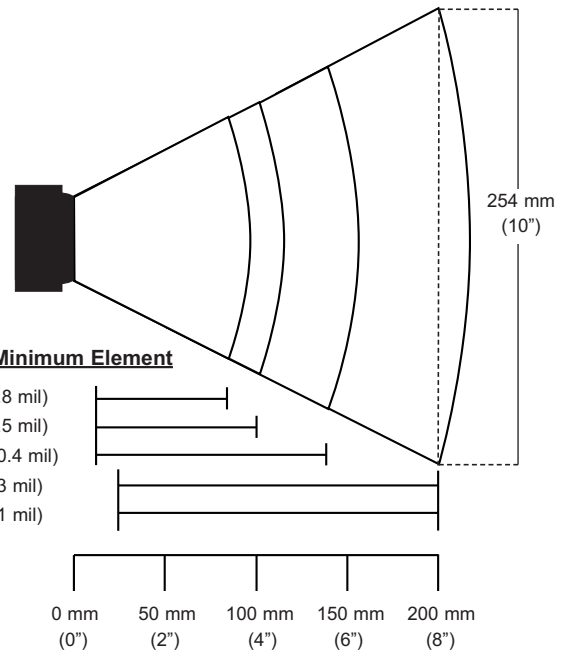
Operating Temperature	-20°C to 50°C (-4°F to 122°F)
Storage Temperature	-40°C to 70°C (-40°F to 158°F)
Humidity	5% to 95% relative humidity, non-condensing
Light Levels	Up to 4842 Lux (450 footcandles)
Contaminants	Environment dependent
Ventilation	Environment dependent
Certification	UL recognized component

**Note:** Approval and certification from agencies such as the FDA (Food and Drug Administration) must be obtained by the manufacturer of the end equipment. The specifications required for agency approval are not obtainable until the ScanQuest<sup>®</sup> engine is used in its final configuration. Therefore, it becomes the responsibility of the manufacturer who incorporates the scan engines into their product to comply with all federal laser safety regulations. The manufacturer must submit a Laser Product Report for the FDA in the U.S. or similar forms as required by other countries. Metrologic can assist its customers in complying with the necessary procedures.

**SCAN PERFORMANCE**

Depth of Scan Field	12.7 mm - 203 mm (0.5" - 8") for 0.33 mm (13 mil) bar codes
Width of Scan Field	28.6 mm (1.125") @ face; 101.6 mm (4") @ 76.2 mm (3")
Scan Speed	52 scan lines per second
Scan Pattern	Single scan line
Minimum Bar Width	0.173 mm (6.8 mil)
Print Contrast	35% minimum reflectance difference
Roll, Pitch, Yaw	42°, 68°, 52°

**Scan Area**



ISO 9001:2000

Metrologic Instruments, Inc. | **Worldwide Headquarters**  
 90 Coles Road | Blackwood, NJ 08012-4683 | info@metrologic.com  
 Telephone 856-228-8100 | Fax 856-228-6673

<b>Asian Headquarters</b> Tel. 65.6842.7155 info@sg.metrologic.com	<b>European Headquarters</b> Tel. 49.89.89019.0 info@eu.metrologic.com	<b>North American Headquarters</b> Tel. 1.800.ID.METRO info@na.metrologic.com	<b>South American Headquarters</b> Tel. 5511.5182.7273 info@sa.metrologic.com
--	--	---	---

Specifications subject to change without notice.  
 Printed U.S.A., Copyright August 2005  
 Metrologic, All rights reserved.



DS4100